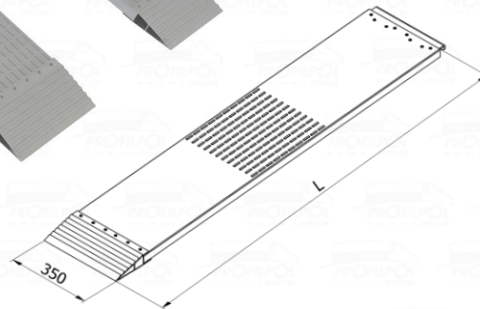
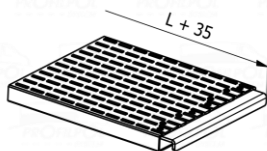
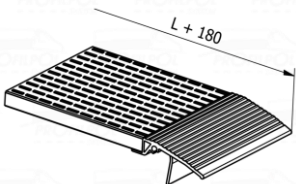
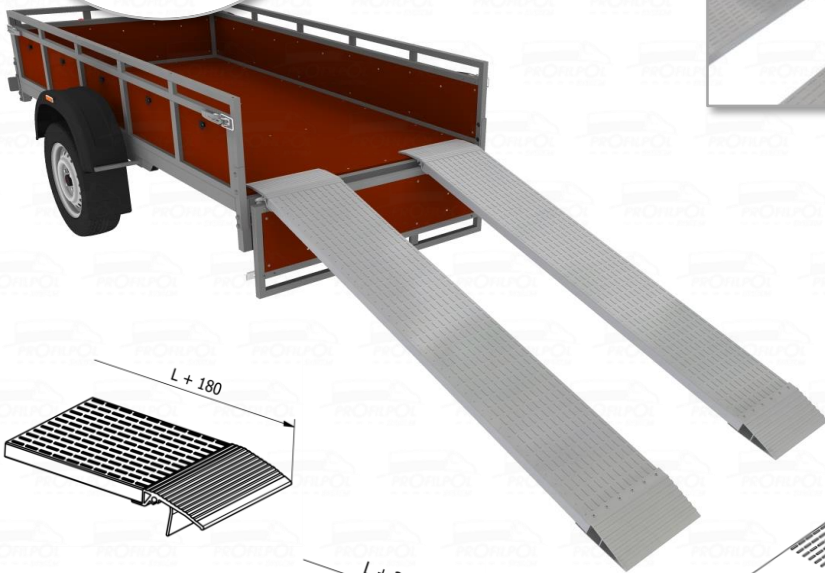
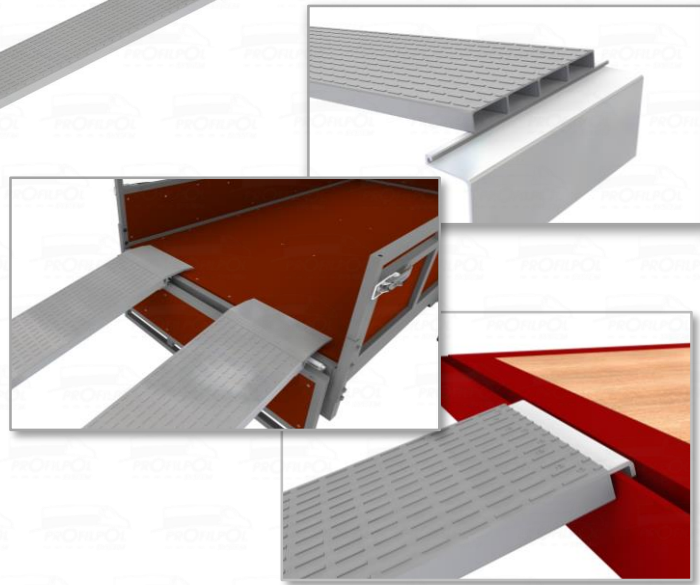
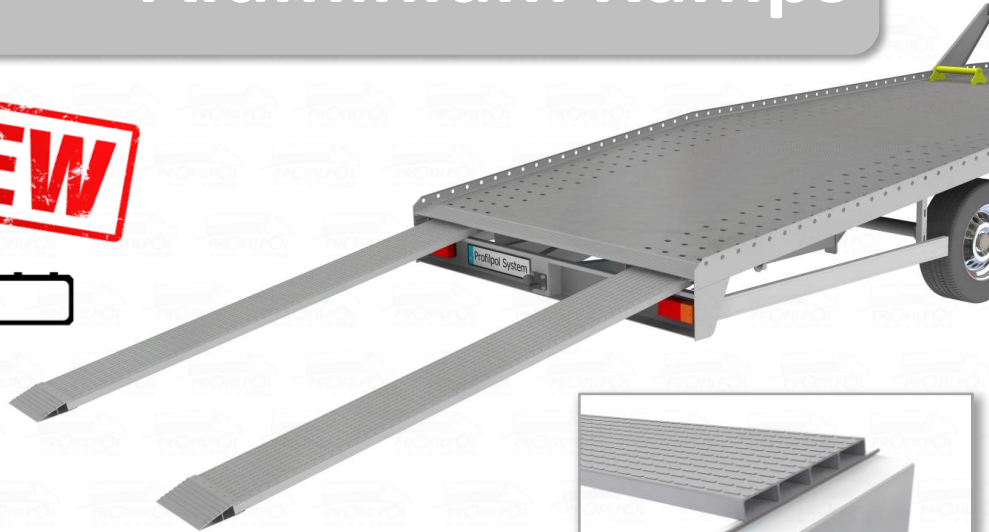


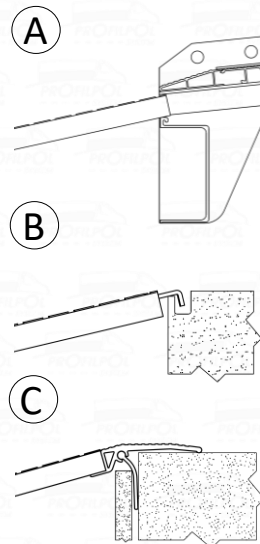
NEW



Stronger ramp profile!!



Support type:



Catalog no.	Designation	Lenght L	Weight kg/pc.
186NA233040 (A,B lub C)	Aluminum Ramp 2,5 m	L=2,5 m	20,7*

* for ramp with support type A



Customer:

Phone No., e-mail:

Standard length:

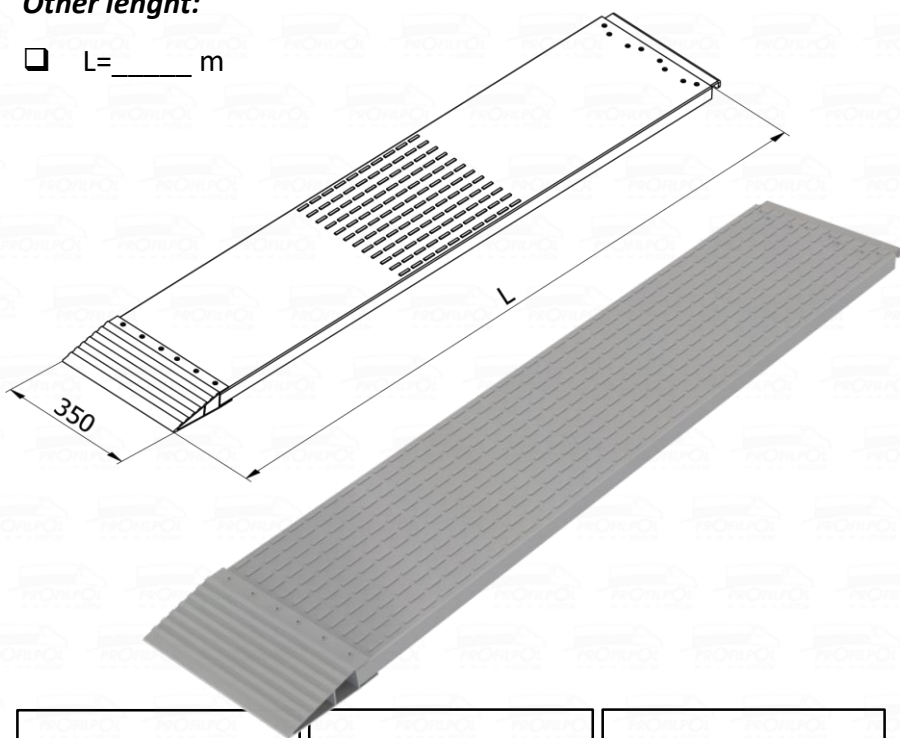
L = 2,5 m

Other length:

L = _____ m

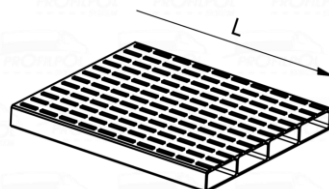
NEW

Stronger ramp profile!!

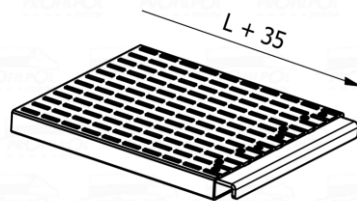


Support types:

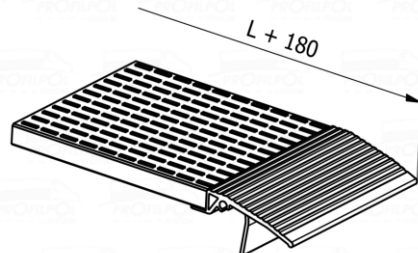
TYP A (without support) - **standard**



TYP B (mounting hook) - **option**



TYP C (mounting dovetail) - **option**



Designation	Length L	Weight kg/pc.
Aluminum Ramp 2,5 m	L=2,5 m	20,7*

* for ramp with support type A

Notes

